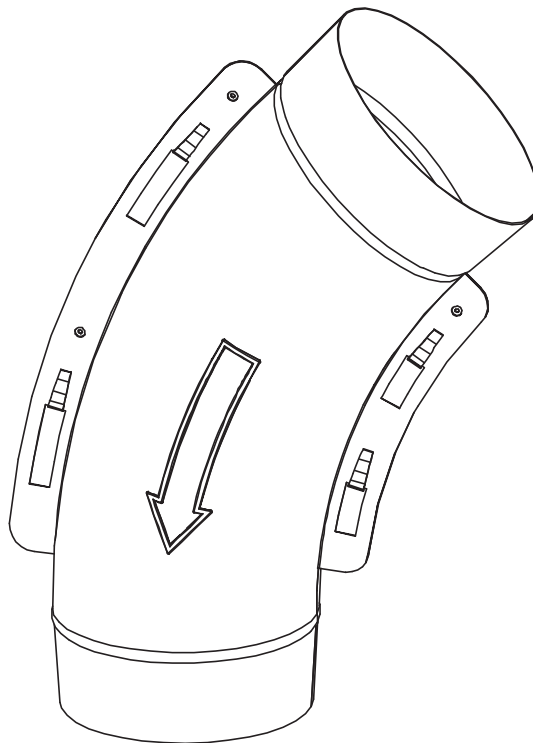
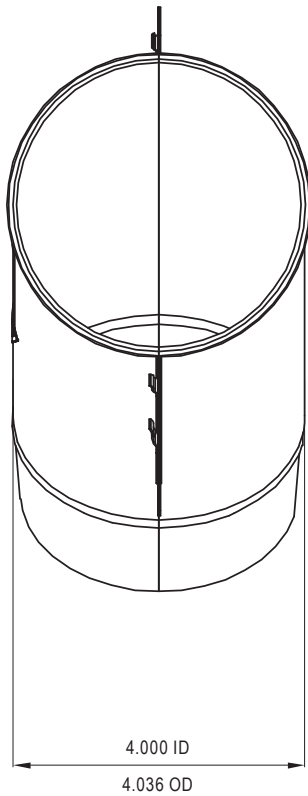
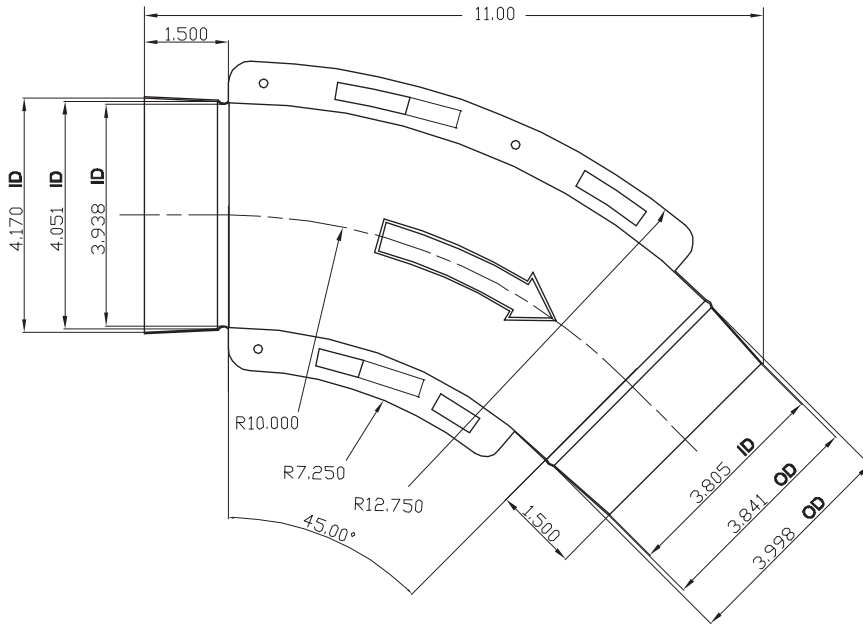




# Technical Product Specifications



SKU	Dimensions
<b>LT45</b>	45° Turn, 4" Diameter 10" Radius, 9" Overall Length
Building Code Reference	
<b>2009 International Code Council</b> 10" radius smooth 45° elbow equivalent length is 9" (Equals LT45's actual length). <ul style="list-style-type: none"> <li>• IMC Table 504.6.4.1</li> <li>• IRC Table M1502.4.4.1</li> </ul>	
Performance Data	
<b>For Use:</b> <ul style="list-style-type: none"> <li>• Dryer exhaust fitting (attic or floor joists)</li> <li>• Replacement to the standard 4" elbow</li> <li>• Efficient elbows for dryer venting</li> </ul>	
<b>Materials:</b> <ul style="list-style-type: none"> <li>• Deep drawn process made from .018" (26 gauge) aluminized steel</li> <li>• Distinct male and female ends</li> <li>• Engineering evaluation by Underwriters Laboratories proved the 90° elbow to be 500% more efficient than typical 3.5" radius elbows.</li> </ul>	
General Information	
<b>Benefits:</b> <ul style="list-style-type: none"> <li>• Larger radius and smooth interior</li> <li>• Zero code required run-length reduction</li> <li>• Increases dryer efficiency</li> <li>• Replaces restrictive 3.5" radius elbow</li> <li>• Alternative to a booster fan</li> </ul>	
<b>Features:</b> <ul style="list-style-type: none"> <li>• 2-piece construction for easy assembly</li> <li>• Fastening tabs for hook and twist assembly</li> <li>• Notch for exact snaplock pipe fit</li> <li>• Secondary securing accomplished with pre-drilled screw holes</li> </ul>	
Manufactured By	
<b>In-O-Vate Technologies, Inc.</b> 810 Saturn Street, Suite 20 Jupiter, FL 33477 Phone: (888) 443-7937 Fax: (561) 745-9723 <a href="http://www.dryer-ell.com">www.dryer-ell.com</a>	